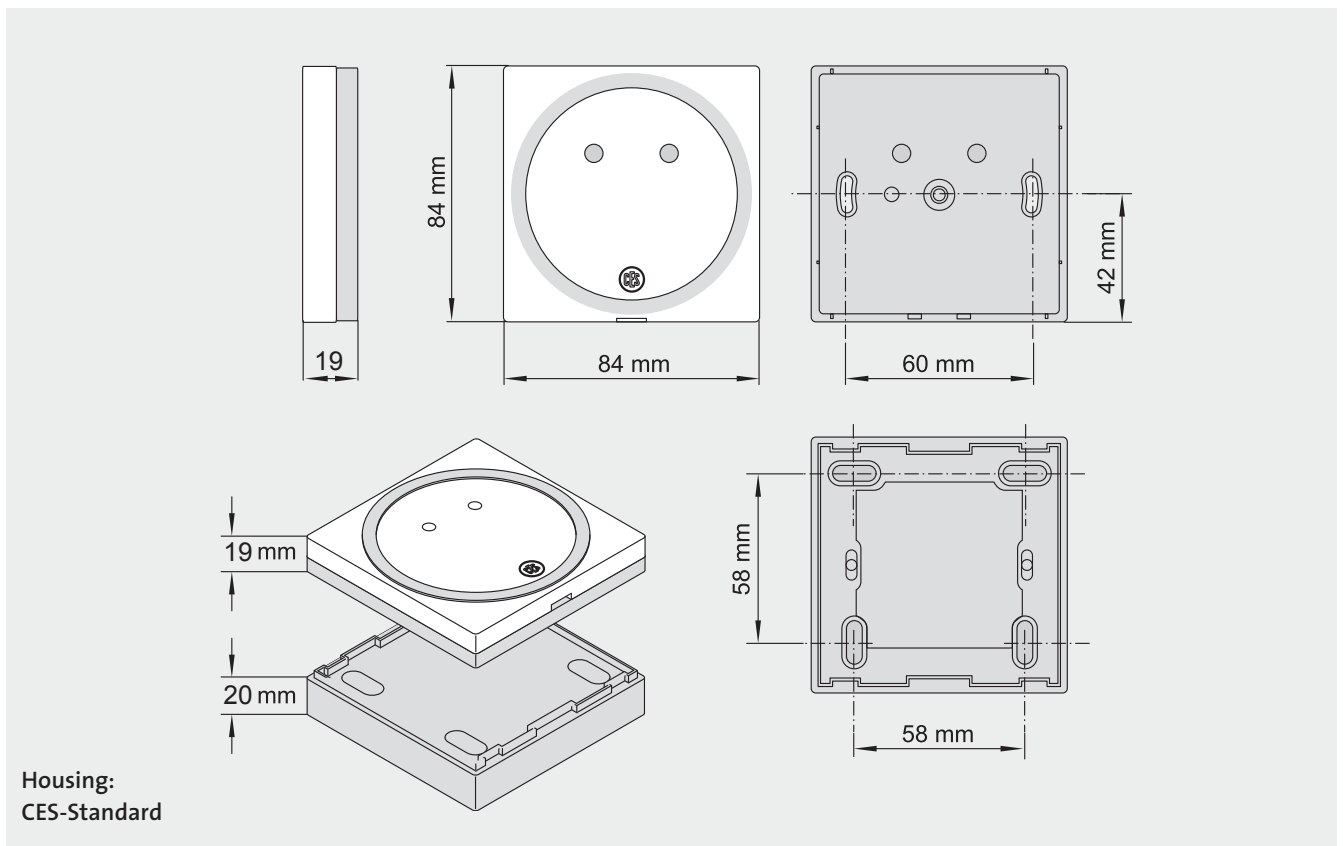


OMEGA FLEX

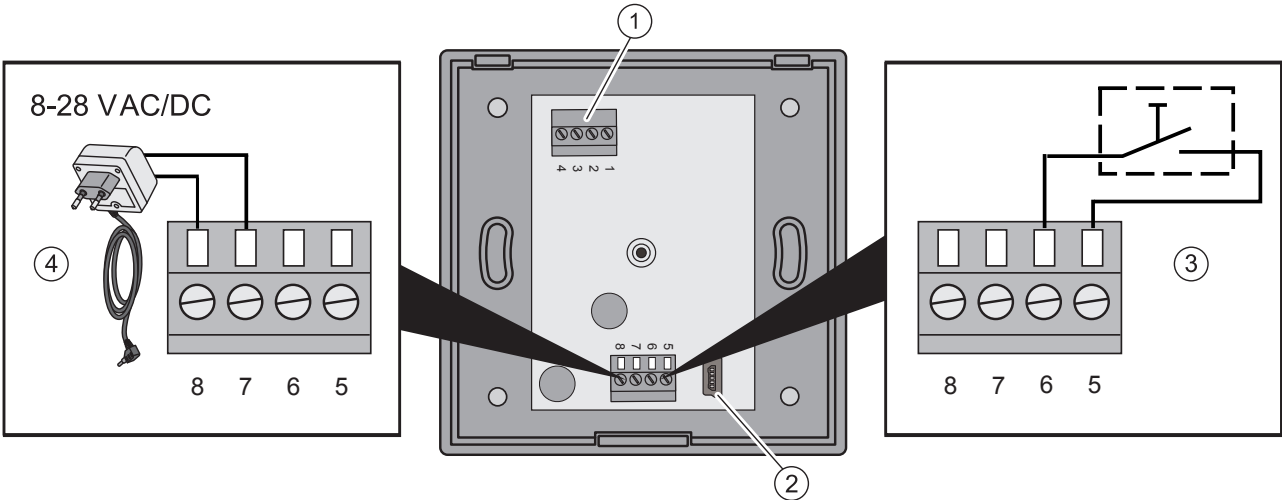
Radio switch



**OMEGA FLEX**  
Radio switch

**Technical data**

Part number	342254V
Online radio frequency	868 MHz
RF-Range	Up to 10 m in buildings
Encrypted data transmission	128 Bit/AES
Prohibited atmospheres	Not suitable for use in corrosive atmosphere (chlorine, ammonia, lime water). Maximum air humidity: 95 %, not condensed
Power supply/Power consumption	12-24 V AC/DC, 3 W
Temperature inside	0 °C to +50 °C
CE testing	EN 300 220-1; EN 300 220-2; EN 301 489-1; EN 301 489-3;EN 60950-1; EN 62479



1	Not used yet, for future model-specific options
2	USB interface for service purposes (firmware updates, etc.)
3	Connection for enabling input, 1 x NOC (normally open contact)
4	Connection for power supply 12–24 V AC/DC

**Ordering information**

Quantity	Part number	Description

Subject to changes without notice. Date V 1.1, 02.2015, BRO 2041-002