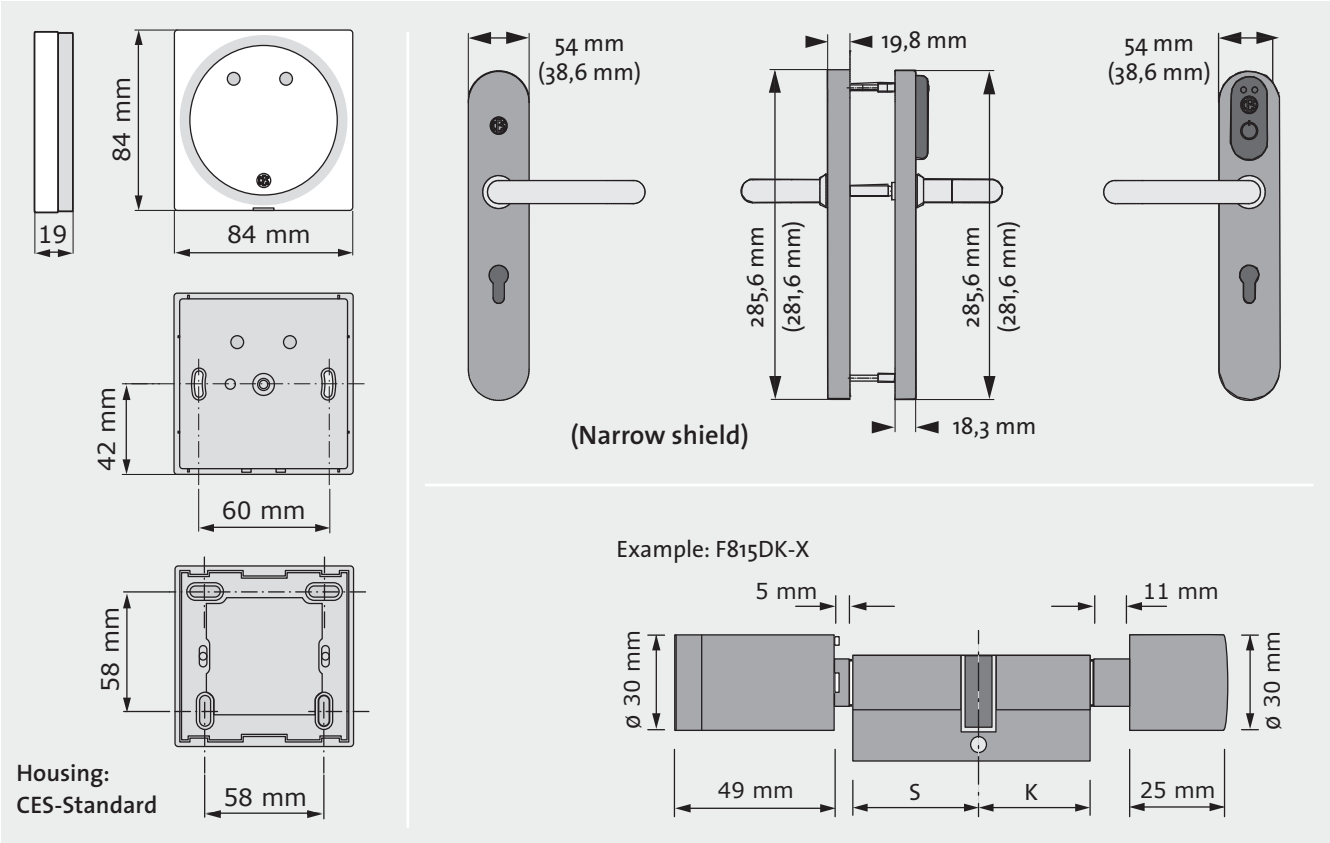


OMEGA FLEX

RF-Master-Sets



OMEGA FLEX RF-Master-Sets

Technical data

	RF Switch Point	Locking cylinder	IES-Shields
Part numbers	342254V	All OMEGA FLEX F815DK and F802/13, ID-System Mifare or LEGIC	All IES-X, ID-System Mifare or LEGIC
Online radio frequency	868 MHz		
RF-Range	Up to 10 m		
Encrypted data transmission	128 Bit/AES		
Prohibited atmospheres	Not suitable for use in corrosive atmosphere (chlorine, ammonia, lime water). Maximum air humidity: 95 %, not condensed		
Enabling input	1 x NOC (normally open contact)		
Safety class			DIN 18257 ES1 optional
Tests	Various SKG***		EN/DIN 18273, EN 179 (with different locks)
Uses			Conforming to EN 179 and EN 1125 with different locks and anti-panic bolts
Suitable transponder media	LEGIC prime, LEGIC advant, Mifare Classic Standard 1k/4K as emergency key, all transponders according to ISO 14443, DESFire EV1		
Number of locking media	max. 100		
Reading range	approx. 20 mm		
Enabling	With RF signal from RF Switch Point, with Mifare media as Emergency key		
Number of events	Without event recording		
Programming	With master media		
Service life	According to DIN/EN		
Service life of the battery	One year with 80 actuations a day (30,000 cycles)		
Power supply	8-28 V AC/DC, 100 mA	Battery type CR2, Lithium (3V, 850 mAh)	Battery type AA, Lithium (1,5V, 3,0 Ah)
Temperature inside	0 °C to +50 °C	-20 °C to +70 °C	0 °C to +50 °C
CE testing	EN 300 220-1; EN 300220-2; EN 301 489-1; EN 301 489-3; EN 62479; EN 60950-1	EN 300 220-1; EN 300 220-2; EN 300 330-1; EN 300 330-2; EN 301 489-1; EN 301 489-3; EN 60950-1; EN 62311	EN 300 220-1; EN 300 220-2; EN 300 330-1; EN 300 330-2; EN 301 489-1; EN 301 489-3; EN 60950-1; EN 50364; EN 62369-1

Variants IES-shield	Part numbers IES-x (LEGIC)	Part numbers IES-x (Mifare)	Special designs:
Narrow shield	IES-S-L/RF	IES-S-M/RF	Special broad shield for installation without drilling on doors with roses that are screwed together horizontally (fire protection)
Broad shield	IES-B-L/RF	IES-B-M/RF	
Outside broad/inside narrow	IES-A-L/RF	IES-A-M/RF	Burglar resistant according to EN 1906 class 2 (broad and narrow) and DIN 18257 class ES1
Outside narrow/inside broad	IES-I-L/RF	IES-I-M/RF	

Extensions locking cylinder 815DK-M (Example)															
Inside (K)/Dimensions in mm								Outside (S)/Dimensions in mm							
87,5	...	72,5	...	62,5	...	32,5	27,5	27,5	32,5	...	62,5	...	72,5	...	87,5
Max. total length 175 mm. Extensions in 5 mm steps.															

Ordering information

Quantity	Part number	Description