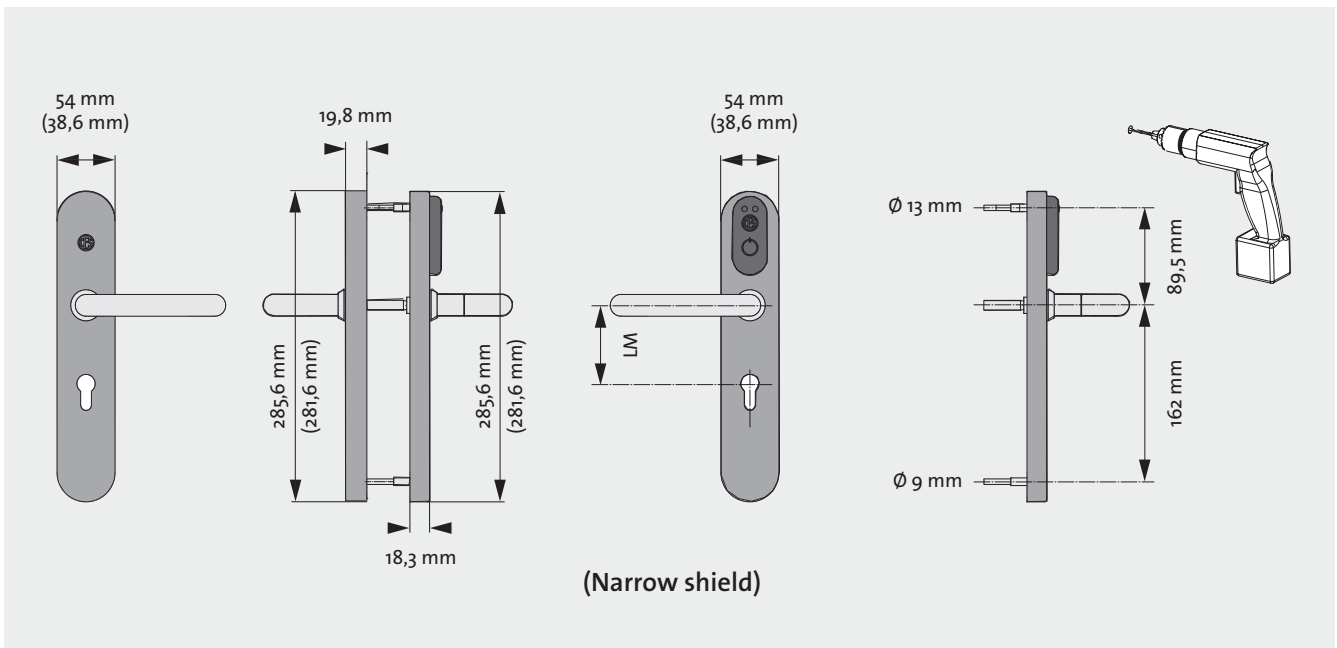


OMEGA FLEX IES

Intelligent Electronic Shield



OMEGA FLEX IES Intelligent Electronic Shield

Technical data

Part numbers	IES-x-L, IES-x-M, see variants	
Suitable transponder media	LEGIC	All transponders according to ISO 14443, LEGIC prime, LEGIC advant
	Mifare	All transponders according to ISO 14443, Mifare Classic Standard 1k/4K, DESFire EV1
Reading range	ca. 20 mm	
Online radio frequency	868 MHz	
RF range to Access Point	Ca. 25 m	
Encrypted data transmission	128 bit/AES	

Variants	Part number LEGIC	Part number Mifare
Narrow shield	IES-S-L	IES-S-M
Broad shield	IES-B-L	IES-B-M
Outside broad/inside narrow	IES-A-L	IES-A-M
Outside narrow/inside broad	IES-I-L	IES-I-M

Power supply	Battery: 2 x 1.5 V, Lithium, type AA
Number of locking media	Max. 5000
Number of events	Max. 2000
Number of Master media	Max. 1 SYSTEM-MASTER, max. 10 PROGRAM-MASTERS, 1 TIME-MASTER
Temperature at outside shield	-25 °C to +70 °C (IP54)
Temperature at inside shield	0 °C to +50 °C
Prohibited atmospheres	Not suitable for use in corrosive atmosphere (chlorine, ammonia, lime water)
Service life of the IES	According to DIN/EN
Service life of the battery	Approx. 100.000 locking cycles
Programming	With master media, offline via radio with RF-Stick, offline via cable; CEStronics RF-NET radio network; CEStronics V-NET virtual network
Safety class	DIN 18257 class ES1 optional
Tests	EN/DIN 18273, EN 179 (with different locks)
Uses	Conforming to EN 179 and EN 1125 with different locks and anti-panic bolts
CE testing	EN 300 220-1-2; EN 300 330-1-2; EN 301 489-1, 3; EN 60950-1, EN 62311, EN 50364, EN 62369-1
Special designs	Special broad shield for installation without drilling on doors with roses that are screwed together horizontally (fire protection) Burglar resistant according to EN 1906 class 2 (broad and narrow) and DIN 18257 class ES1

Ordering information

Quantity	Part number	S: IES version	DA: Handle outside	DI: Handle inside	D: Handle bearing	OB: Surface (Stainless steel)	TS: Thickness of the door (38 - 100 mm)	LM: Distance (Hole centre) 55 - 105 mm	LO: Hole (PZ, RZ)	DOR: Square (spindle) 7 - 10 mm	E: Safety class (0 = without; 1 = ES1)
1	IES-x-L	S	HA	HA	K	ST	63	72	PB	9	0