

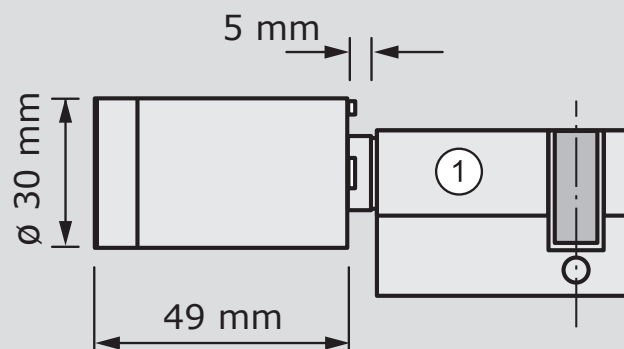
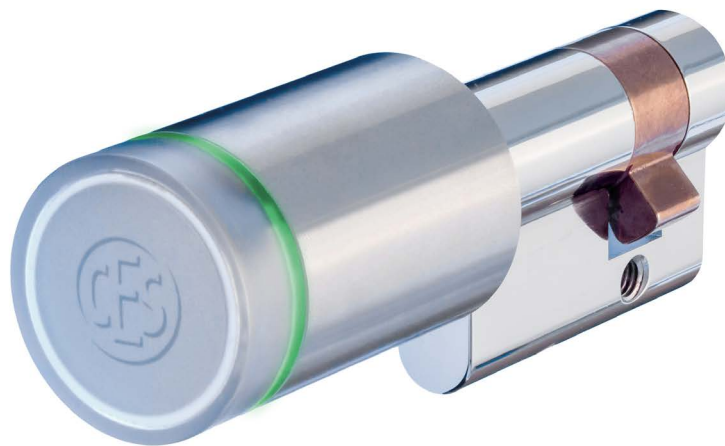
**OMEGA FLEX electronic cylinder**

**Single knob cylinder F815DK-x-1/2/x**

Single cylinder with electronics knob on the outside

**Single knob cylinder F915DK-x-1/2/x**

Version for use in fire safety doors up to T90



① Outside (S)

Single knob cylinder F815DK-x-1/2/x, F915DK-x-1/2/x

Technical data

Part number	F815DK-M-1/2/N; F915DK-M-1/2/N* = Mifare ID system, Variant /N F815DK-L-1/2/N; F915DK-L-1/2/N* = LEGIC ID system, Variant /N
Suitable transponder media	Mifare LEGIC Mifare Classic Standard 1k/4K and all ISO 14443 media, DESFire EV1 Prime, Advant
Reading range	approx. 20 mm
Encrypted data transmission	AES 128 Bit
Knob	length 49 mm, diameter approx. 30 mm
Power supply (Battery)	3.0 V; type „Power one™“, „Varta PowerOne“, „Panasonic Industrial Lithium“ CR-2 Lithium, 850 mAh (F915DK-x-1/2: exclusively type „Panasonic Industrial Lithium“ CR-2)
Number of locking media/events	max. 5.000/max. 2.000
Length of opening time	1 - 180 sec., individual setting (optional)
Number of Master media	1 x SYSTEM-MASTER, 10 x PROGRAM-MASTER, 1 x TIME-MASTER, 10 x RF-STICK-MASTER
Temperature at outside knob	-25 °C to +70 °C
Prohibited atmospheres	Not suitable for use in corrosive atmosphere (chlorine, ammonia, lime water)
Humidity	0...95 % RH, not condensing
Service life of the locking cylinder	According to DIN/EN 1303 class 6
Service life of the battery (at 20 °C)	Approx. 40,000 locking cycles, > 1 year at 80 locking cycles/day for the online variant. Standby operation: > 4 years (Mifare); > 2 years (LEGIC)
Programming	With Master media, offline via radio with RF-Stick; CEStronics RF-NET radio network; CEStronics V-NET virtual network
CE testing	EN300 220-1, 2; EN 300 330-1, 2; EN 301 489-1, 3; EN 60950-1, EN 62311
Certification	DIN EN 15684:2013-01
Fire resistance period (F915DK-x-1/2)	90 minutes, according to EN 1634-1 (T90)

Variants

/N*	NoTime, programming with RF-Stick via radio, programming without time zones and events	*Variation N is not for VdS options, the VdS option is possible from variation /T
/T	Time, programming with RF-Stick via radio, programming with time zones and events	
/NET	Online-programming via CESTronics RF-NET radio network, for use within CESTronics RF networks	
/RF	Same as /N, control via CESTronics RF-Switchpoint. Programming with Master media	
/NV	NoTime, for use in CESTronics V-NET virtual network	
/TV	Time, for use in CESTronics V-NET virtual network	
Options		Finish: Stainless steel look (standard), /ST: soft touch coating of the knobs for improved feel, black, /HYG: antibacterial coating of the knobs
/SM	Security mode with DESFire EV1 locking media (Mifare ID systems only)	
/VdS	VdS version, anti-drilling and anti-pulling protection according to VdS 2156 BZ+	
/SKG***	SKG*** version, anti-drilling and anti-pulling protection according to SKG***	
/WP	Weather-resistant design corresponding to IP 65 for locking cylinder and knob	

Table of lengths

Extensions FLEX single knob cylinder															
								Outside (S)/ mm							
								27,5*	32,5	...	62,5	...	72,5	...	87,5
Max. total length 87,5 mm. Extensions in 5 mm steps.										*Not for F915DK-x-1/2					

Ordering information (example order)

Part number	Variant	Security mode o = standard	VdS o = standard	Finish o = standard	Coating o = standard	Weather protection o = standard	Length S locking side
F815DK-M-1/2 F915DK-M-1/2	/N	-SM	o	o	o	-WP	42,5

Subject to changes without notice. Release: V 1.6, 01.2015, BRO 2035-002