

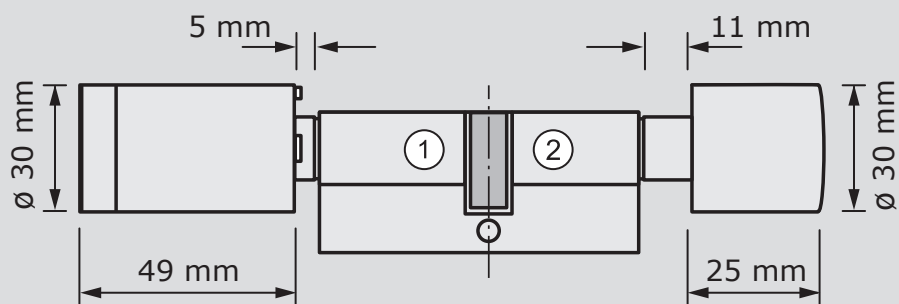
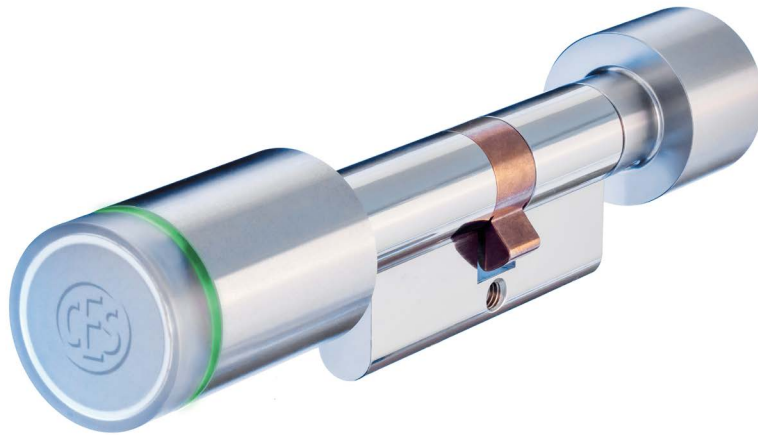
OMEGA FLEX electronic cylinder

Double-knob cylinder F815DK-x/x

Basic version with electronics knob on the outside and permanently coupled mechanical knob on the inside

Double-knob cylinder F915DK-x/x

Version for use in fire safety doors up to T90



- ① Outside (S)
- ② Inside (K)

Technical data

Part number	F815DK-M/N; F915DK-M/N* = Mifare ID system, Variant /N F815DK-L/N; F915DK-L/N* = LEGIC ID system, Variant /N	
Suitable transponder media	Mifare LEGIC	Mifare Classic Standard 1k/4K and all ISO 14443 media, DESFire EV1 Prime, Advant
Reading range	approx. 20 mm	
Encrypted data transmission	AES 128 Bit	
Knobs	Outside: length approx. 49 mm, diameter approx. 30 mm Inside: length approx. 25 mm, diameter approx. 30 mm	
Power supply (Battery)	3.0 V; type „Power one™“, „Varta PowerOne“, „Panasonic Industrial Lithium“ CR-2 Lithium, 850 mAh (F915DK-x: exclusively type „Panasonic Industrial Lithium“ CR-2)	
Number of locking media/events	max. 5.000/max. 2.000	
Length of opening time	1 - 180 sec., individual setting (optional)	
Number of Master media	1 x SYSTEM-MASTER, 10 x PROGRAM-MASTER, 1 x TIME-MASTER, 10 x RF-STICK-MASTER	
Temperature at outside knob	-25 °C to +70 °C	
Prohibited atmospheres	Not suitable for use in corrosive atmosphere (chlorine, ammonia, lime water)	
Humidity	0...95 % RH, not condensing	
Service life of the locking cylinder	According to DIN/EN 1303 class 6	
Service life of the battery (at 20 °C)	Approx. 40,000 locking cycles, > 1 year at 80 locking cycles/day for the online variant. Standby operation: > 4 years (Mifare); > 2 years (LEGIC)	
Programming	With Master media, offline via radio with RF-Stick; CEStronics RF-NET radio network; CEStronics V-NET virtual network	
CE testing	EN300 220-1, 2; EN 300 330-1, 2; EN 301 489-1, 3; EN 60950-1, EN 62311	
Certification	DIN EN 15684:2013-01	
Fire resistance period (F915DK-x)	90 minutes, according to EN 1634-1 (T90)	

Variants

/N*	NoTime, programming with RF-Stick via radio, programming without time zones and events	*Variation N is not for VdS options, the VdS option is possible from variation /T
/T	Time, programming with RF-Stick via radio, programming with time zones and events	
/NET	Online-programming via CEStronics RF-NET radio network, for use within CEStronics RF networks	
/RF	Same as /N, control via CEStronics RF-Switchpoint. Programming with Master media	
/NV	NoTime, for use in CEStronics V-NET virtual network	
/TV	Time, for use in CEStronics V-NET virtual network	
Options		Finish:
/SM	Security mode with DESFire EV1 locking media (Mifare ID systems only)	Stainless steel look (standard),
/VdS	VdS version, anti-drilling and anti-pulling protection according to VdS 2156 BZ+	/ST: soft touch coating of the knobs for improved feel, black,
/SKG***	SKG*** version, anti-drilling and anti-pulling protection according to SKG***	/HYG: antibacterial coating of the knobs
/WP	Weather-resistant design corresponding to IP 65 for locking cylinder and knob	

Table of lengths

Extensions FLEX double-knob cylinder															
Inside (K)/mm								Outside (S)/mm							
87,5	...	72,5	...	62,5	...	32,5	27,5	27,5*	32,5	...	62,5	...	72,5	...	87,5
Max. total length 175 mm. Extensions in 5 mm steps.								*Not for F915DK-x							

Ordering information (example order)

Part number	Variant	Security mode o = standard	VdS o = standard	Finish o = standard	Coating o = standard	Weather protection o = standard	Length K knob side	Length S locking side
F815DK-M F915DK-M	/N	-SM	o	o	o	-WP	42,5	42,5