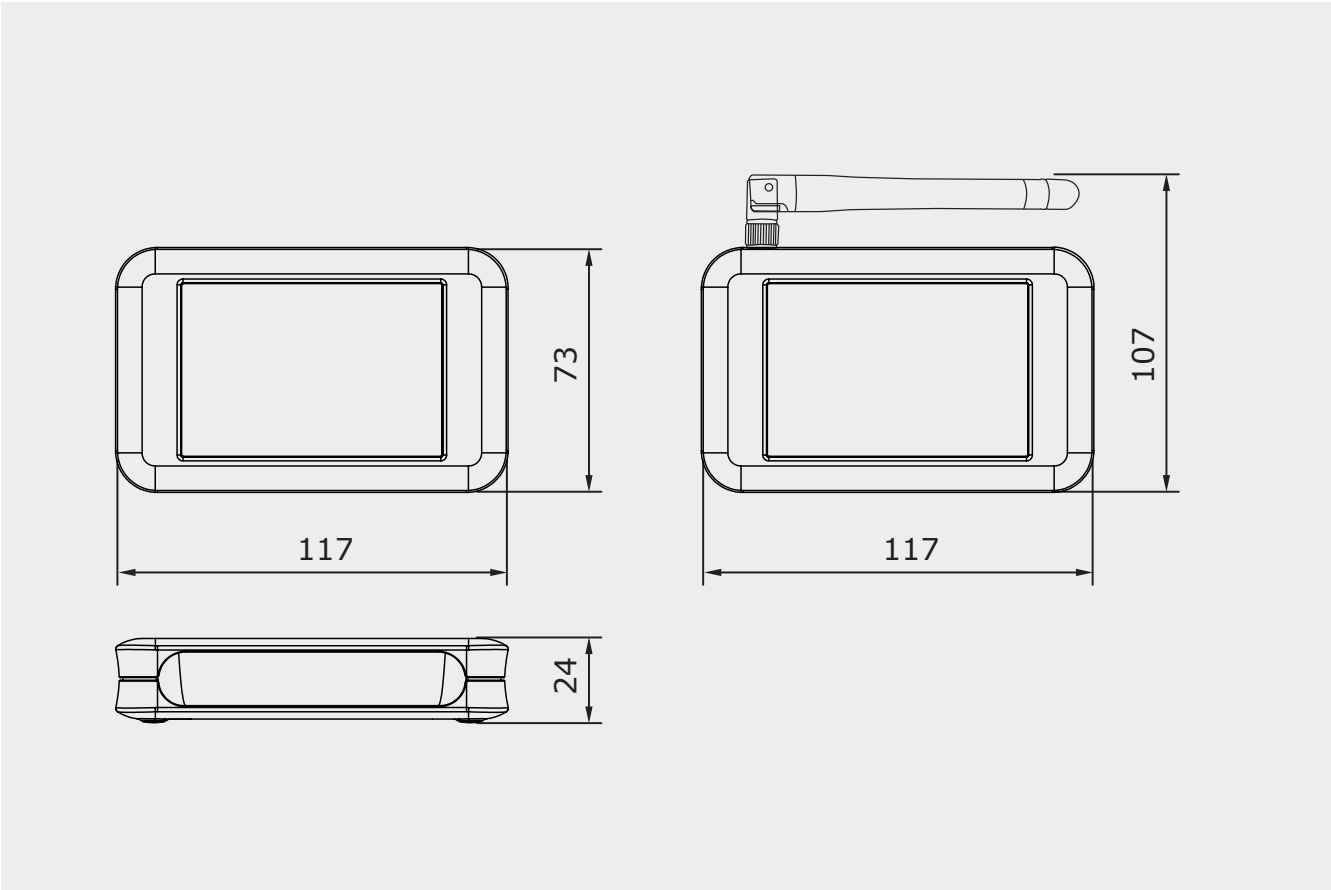


OMEGA FLEX
RF-NET Access Point



Ground plane antenna (optional)



OMEGA FLEX RF-NET Access Point

Technical data

Part number	342207V
Dimensions	Length: ca. 107 mm Width: ca. 117 mm Height: ca. 24 mm
Power supply	100–240 V ~, only via the power pack supplied (9 V DC)
Power consumption	Max. 1,0 W
Connection	Phonoplug 5,5 x 2.1 mm
Communication frequency:	Sending/transmitting 868 MHz
Network protocol:	TCP/IP
Temperature range:	0 °C to + 40 °C
RF range:	Approx. 25 m
Prohibited atmospheres:	Not suitable for use in corrosive atmospheres (chlorine, ammonia, lime water)
Service life of the Access Point	At least 10 years

Technical data Ground plane antenna (optional)

Part number	340202V
Dimensions Antenna	Height: approx. 230 mm Diameter: approx. 155 mm
Dimensions Mounting bracket	Length: 195 mm Width: 30 mm
Body	Aluminium
Connection	RG 58-Cable with BNC connector, Length 2,5 m
Working band	868 MHz
Impedance	50 Ω
Temperature range	-20 °C to + 80 °C
RF range	Max. 40 m
Prohibited atmospheres	Not suitable for use in corrosive atmospheres (chlorine, ammonia, lime water)
Scope of delivery	Antenna, mounting bracket, connection cable, Adaptors

Technical data PoE version (optional)

Part number	342209V
Device class	IEEE 802.3af, Class 1
Removing power (PD)	Max. 0,44 W ... 3,84 W

Ordering information

Quantity	Part number	Name	Special features