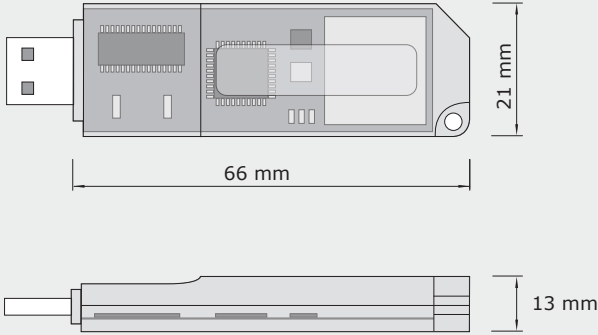


OMEGA ACTIVE  
RF-Stick



## OMEGA ACTIVE RF-Stick

### Technical data

Part number	248601V
Dimensions	Length: ca. 66 mm, Width: ca. 21 mm, Height: ca. 13 mm
Power supply	Via USB-Port
Connection	USB-port, for operating systems Windows 7™ and Windows 8™
Communication frequency	868 MHz
RF range	Up to 10 m
Temperature range	0 °C to + 60 °C
Environmental conditions	Not suitable for use in corrosive atmospheres (chlorine, ammonia, lime water). Maximum air humidity: 95 %
Service life of the RF-Stick	At least 10 years, USB plug: approx. 1.500 plugging cycles
Signaling LEDs	1 x Green = Ready 1 x Red = Data communication 1 x Blue = Internal function test
Security requirements	Encrypted data transfer, 128 Bit/AES

### Variants

The RF-Stick is available in three different packages:

<b>RF-Stick (Art. Nr. 248601V)</b>	Includes the RF-Stick and a CD-ROM only, for the functional extension of existing online and offline systems
<b>RF-Stick Set (Art. Nr. 248605V)</b>	Includes the OMEGA ACTIVE RF-Stick, RF-STICK MASTER, OMEGA ACTIVE SYSTEM MASTER, a CD-ROM with the CESTronics software suite as backup medium and a USB stick with program files and licences
<b>RF-Stick Programming Package (Art. Nr. 248604V)</b>	Includes a netbook with pre-installed CESTronics software suite with single-user licence, OMEGA ACTIVE RF-Stick, RF-STICK MASTER, OMEGA ACTIVE SYSTEM MASTER, USB stick with licence file and data files, CD-ROM with the CESTronics software suite as backup medium

### Ordering information

Quantity	Part number	Name	Special features