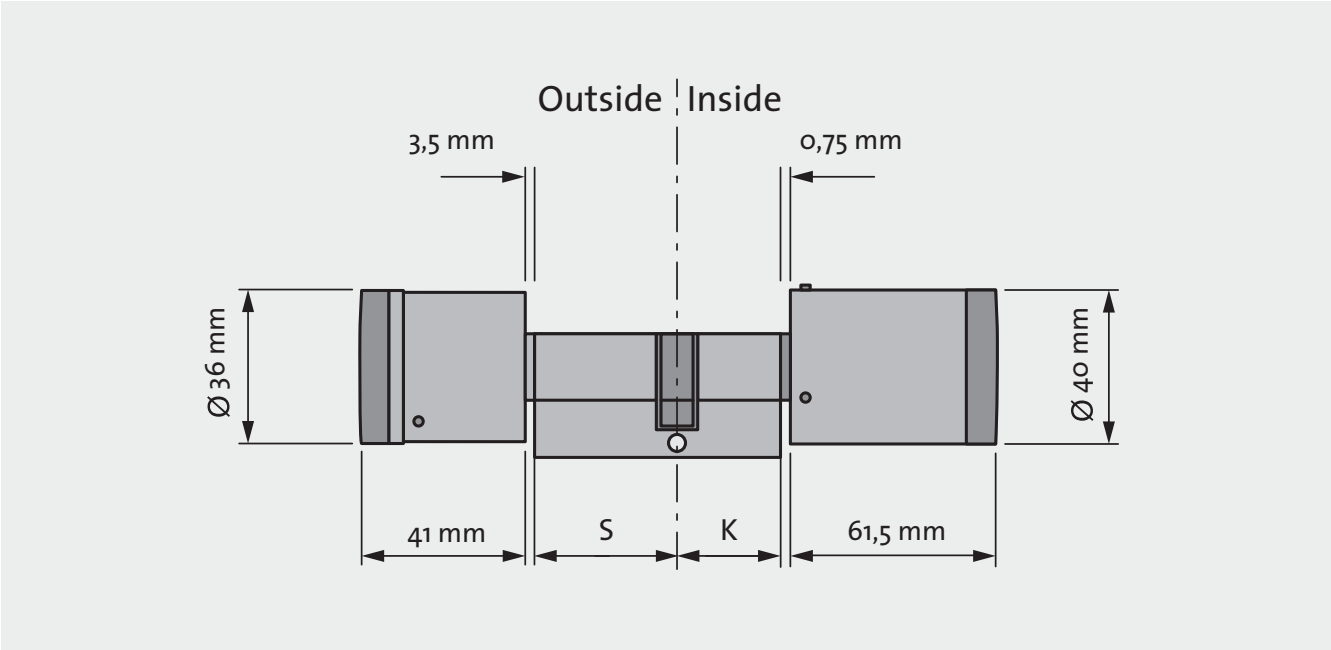


OMEGA ACTIVE  
Double knob cylinder

815 DK-II-A



## OMEGA ACTIVE Double knob cylinder 815 DK-II-A

### Technical data

|                                      |  |
|--------------------------------------|--|
| Part number                          | 815DK-II-A   |
| Suitable transponder media           | Active transponders 125 kHz/868 MHz, Hitag 1, Hitag 2, Hitag S, EM4102, others upon request            |
| Reading range                        | Active: approx. 700 mm, passive 125 kHz: approx. 20 mm   |
| Online radio frequency               | 868 MHz  |
| RF range to Access Point             | approx. 25 m   |
| Encrypted data transmission          | 128 Bit/AES  |
| Knobs                                | Outside: Length ca. 41 mm, diameter ca. 36 mm, IP 54<br>Inside: Length ca. 61.5 mm, diameter ca. 40 mm |
| Power supply                         | Battery: 3,6 V; type SL-750/S, Tadiran, ½ AA Lithium (min. 1,1 Ah)                                     |
| Number of locking media              | Max. 2.048   |
| Number of events                     | Max. 500   |
| Number of Master media               | Max. 1 SYSTEM-MASTER, max. 10 PROGRAM-MASTER   |
| Temperature at inside knob           | 0 °C to +50 °C   |
| Temperature at outside knob          | -25 °C to +70 °C   |
| Prohibited atmospheres               | Not suitable for use in corrosive atmosphere (chlorine, ammonia, lime water)                           |
| Service life of the locking cylinder | According to DIN/EN  |
| Service life of the battery          | About 1 years with 80 actuations a day   |
| Programming                          | Master media, RF network, Programmer CP100   |
| CE testing                           | EN 300 220-1; EN 300 330-1, 2; EN 301 489-1, 3; EN 60950-1   |
| Special designs                      | Swiss round profile cylinder, British oval profile cylinder  |

### Table of lengths

| Extensions double knob cylinder 815DK-II-A                        |      |      |      |      |      |      |      |      |                                |      |      |      |      |      |      |      |
|---|------|------|------|------|------|------|------|------|--------------------------------|------|------|------|------|------|------|------|
| Inside (K) mm   |      |      |      |      |      |      |      |      | Outside (S) mm                 |      |      |      |      |      |      |      |
| 62,5  | 57,5 | 52,5 | 47,5 | 42,5 | 37,5 | 32,5 | 27,5 | 22,5 | 27,5                           | 32,5 | 37,5 | 42,5 | 47,5 | 52,5 | 57,5 | 62,5 |
| Beyond 62.5 mm: special length                                    |      |      |      |      |      |      |      |      | Beyond 62.5 mm: special length |      |      |      |      |      |      |      |
| Max. total length 125 mm  |      |      |      |      |      |      |      |      |                                |      |      |      |      |      |      |      |
| Extensions beyond 125 mm upon request after review of feasibility |      |      |      |      |      |      |      |      |                                |      |      |      |      |      |      |      |

### Ordering information

| Quantity | Part number | Name | Length inside (K) | Length outside (S) | Colour | Special features |
|----------|-------------|------|-------------------|--------------------|--------|------------------|
|          |             |      |                   |                    |        |                  |