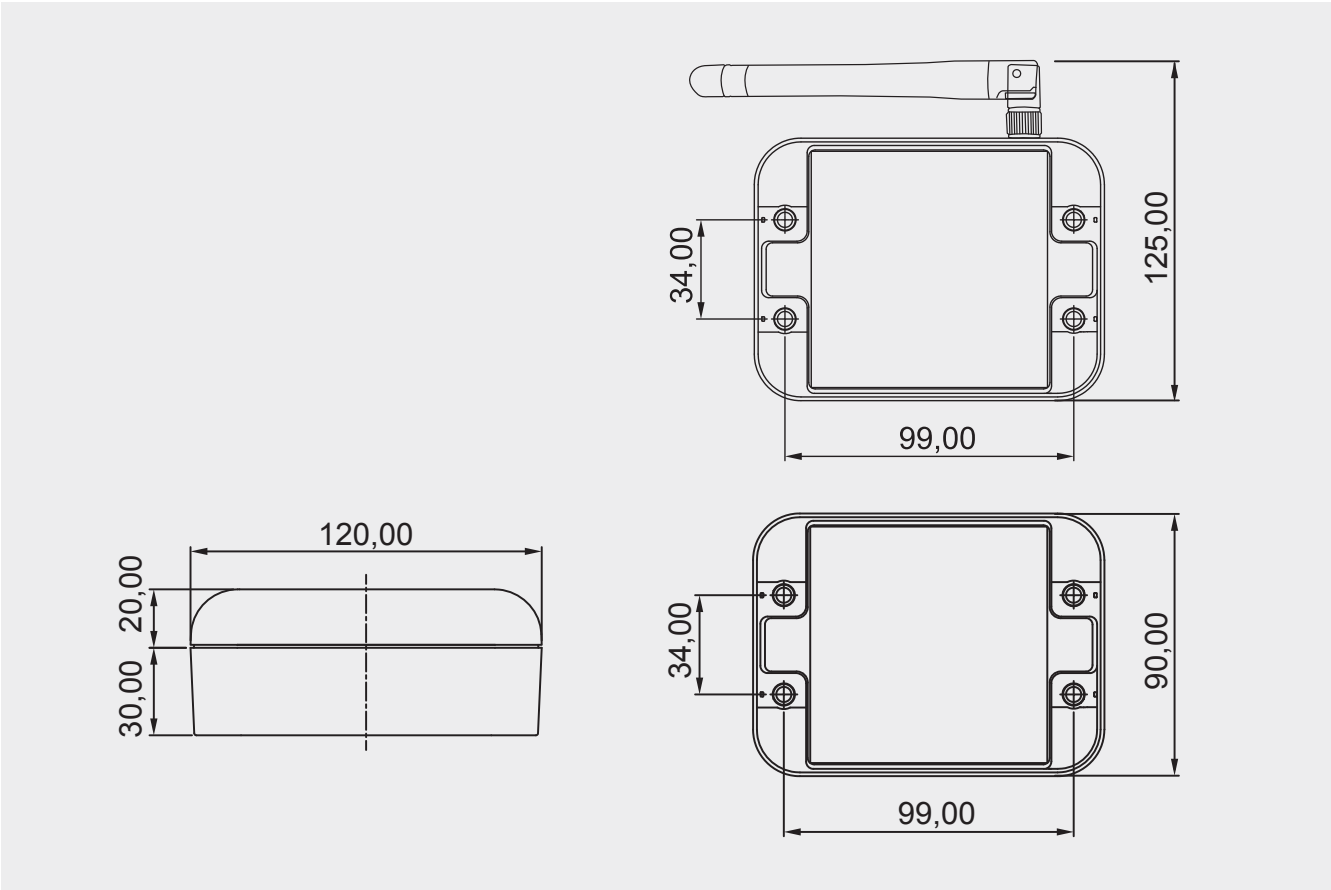


OMEGA ACTIVE
Access Point



Ground plane antenna (optional)



OMEGA ACTIVE Access Point 247510F

Technical data

Part number	247510F
Dimensions	Length: ca. 120 mm, approx. 160 mm with additional antenna Width: ca. 90 mm, approx. 125 mm with additional antenna Height: ca. 50 mm
Power supply	100–240 V ~
Power pack	Only via the power pack supplied
Power consumption	5 V/350 mA
Connection	Phonoplug 5,5 x 2.1 mm
Relay contact	1 x NC contact 1 x NO contact
Relay switching capacity	5 A 250 V ~, resistive load 5 A 250 V ~, cosφ 0.3 5 A 30 V =, resistive load
Communication frequency	Sending/transmitting 868 MHz
Network protocol	TCP/IP
Temperature range	0 °C to + 40 °C
RF range	Approx. 25 m, approx. 40 m with additional antenna
Prohibited atmospheres	Not suitable for use in corrosive atmospheres (chlorine, ammonia, lime water)
Service life of the Access Point	At least 10 years
PoE adapter	For use in PoE networks, an adapter is available as an option. In that case the power pack will no longer be necessary.

Technical data Ground plane antenna (optional)

Part number	340202V
Dimensions Antenna	Height: approx. 230 mm Diameter: approx. 155 mm
Dimensions Mounting bracket	Length: 195 mm Width: 30 mm
Body	Aluminium
Connection	RG 58-Cable with BNC connector, Length 2,5 m
Working band	868 MHz
Impedance	50 Ω
Temperature range	-20 °C to + 80 °C
RF range	Max. 40 m
Prohibited atmospheres	Not suitable for use in corrosive atmospheres (chlorine, ammonia, lime water)
Scope of delivery	Antenna, mounting bracket, connection cable, Adaptors

Ordering information

Quantity	Part number	Name	Switching function for	Special features