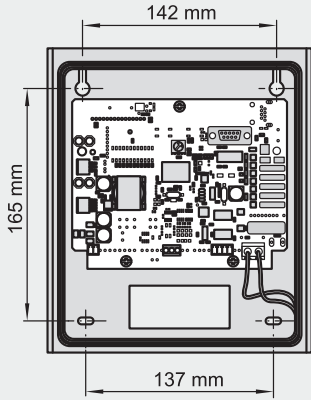
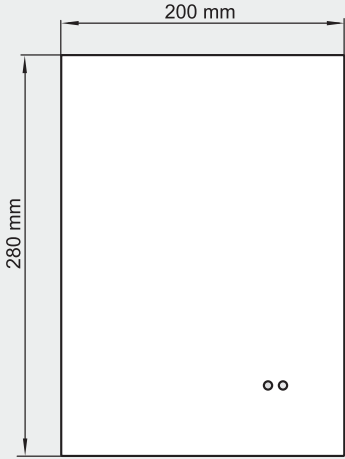
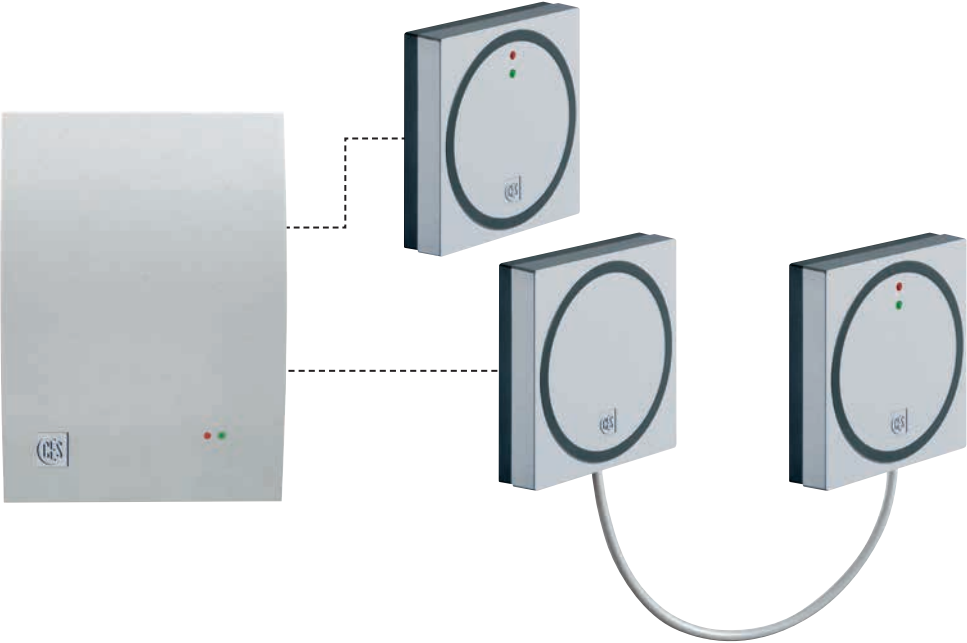
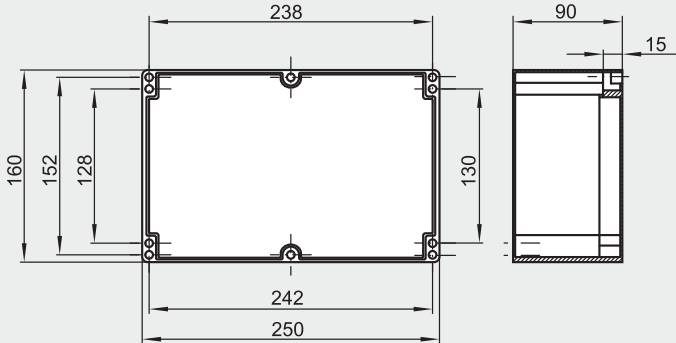


OMEGA ACTIVE
Long-range reader



WT-A-LR-4-I



WT-A-LR-4-O

OMEGA ACTIVE Long-range reader WT-A-LR-4-I / WT-A-LR-4-O

Technical data

Note: The long-range readers are always used in conjunction with a WT-A-I/ /WT-A-II

Part numbers	247505 WT-A-LR-4-I for indoor installation 247506 WT-A-LR-4-O for outdoor installation
Suitable transponder media	Active transponders 125 kHz/868 MHz
Reading range	Active: max. 400 cm/with alternative antennae up to 12 m
Online radio frequency	868 MHz
RF range to Access Point	Ca. 25 m
Encrypted data transmission	128 Bit/AES
Power supply	12...24 V AC/DC, 200mA
Dimensions reader (WxHxD)	WT-A-LR-4-I: 280 x 200 x 40 mm WT-A-LR-4-O: 250 x 160 x 90 mm
Connections	1 x input (zero-potential control) 2 x separate zero-potential switching outputs, change-over contact 1 x RS 232 interface
Relay contacts (per relay)	1 x NC contact, 1 x NO contact, 5 A 250 V ~, resistive load; 5 A 250 V ~, cos ϕ 0.4; 5 A 24 V =, resistive load
Length of cable to WT-A-x	15 m (RS 232)
Number of locking media	Max. 2,048
Number of Master media	Max. 1 SYSTEM-MASTER, max. 10 PROGRAM-MASTERS
Number of events	Max. 500 with date and time
Temperature range	-25 °C to +70 °C
Enclosure	WT-A-LR-4-I: IP40 WT-A-LR-4-O: IP67
Prohibited atmospheres	Not suitable for use in corrosive atmosphere (chlorine, ammonia, lime water)
Service life of the reader	At least 10 years
Programming	Master media or handheld programmer and/or RF network
CE testing	EN 300 220-1; EN 300 330-1, 2; EN 301 489-1, 3; EN 60950-1
Special designs	See „Long-range reader variants“ enclosed

Ordering information

Quantity	Part number	Description	Colour (standard only)	Relay switching time (offline only)