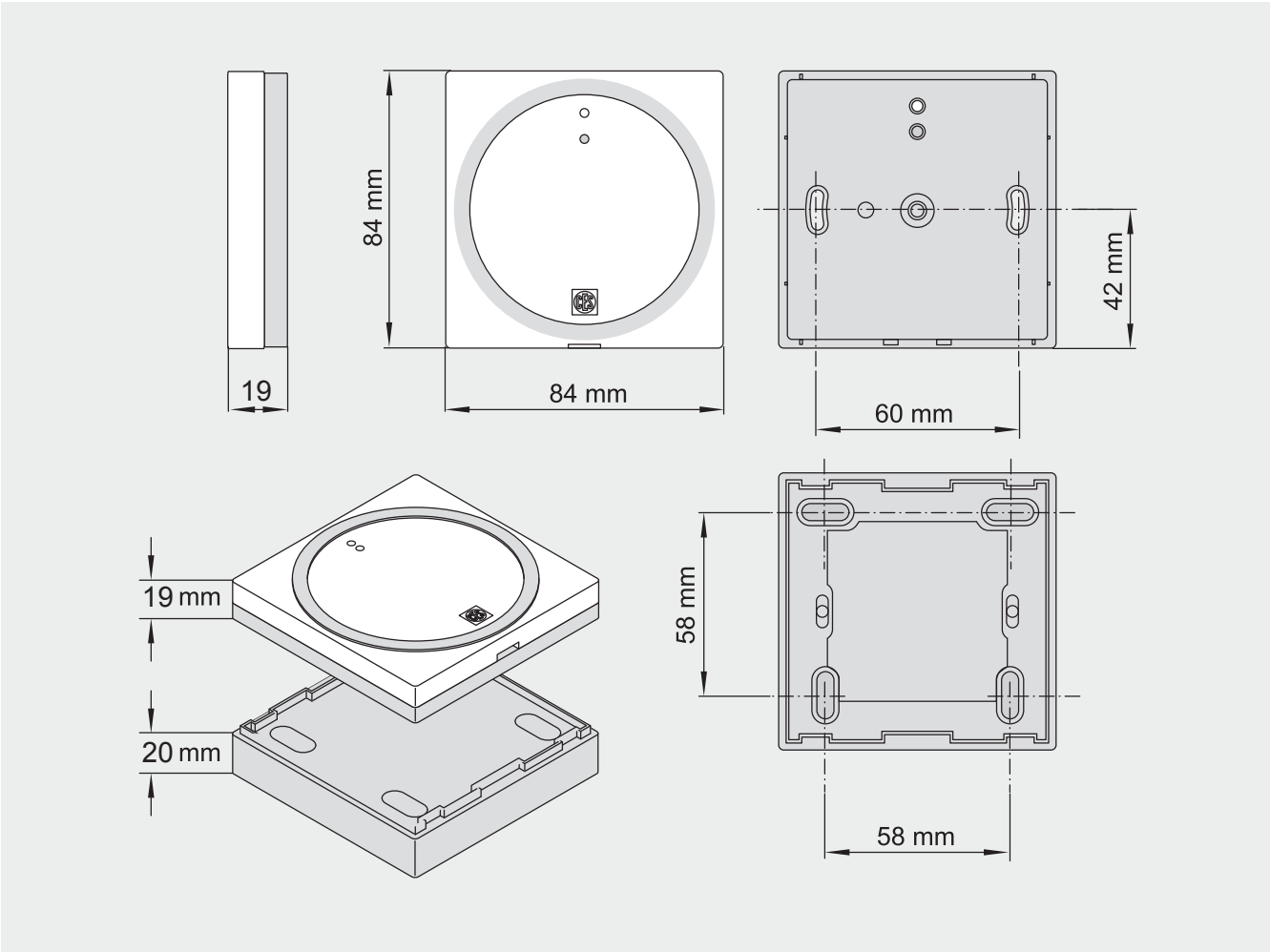
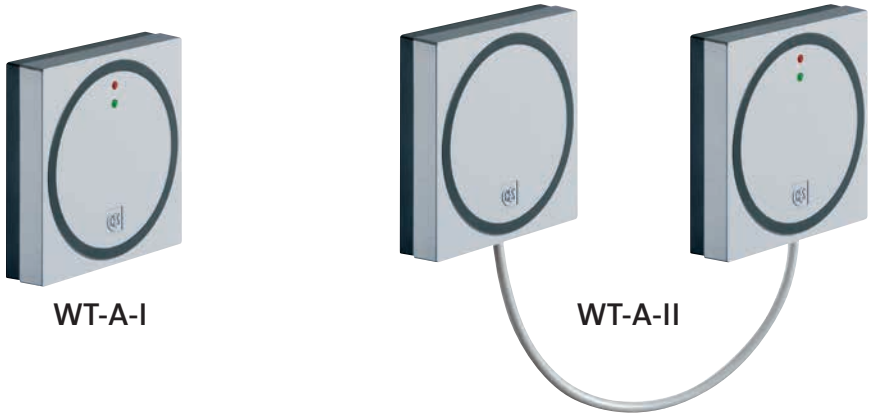


OMEGA ACTIVE
Wall terminal

WT-A-I
WT-A-II



OMEGA ACTIVE Wall terminal WT-A-I / WT-A-II

Technical data

Part numbers	247500 WT-A-I compact, for inside applications 247501 WT-A-II separate, for high-security applications
Suitable transponder media	Active transponders 125 kHz/868 MHz, Hitag 1, Hitag 2, Hitag S, EM4102, others upon request
Reading range	Active: max. 1,500 mm/passive 125 kHz: max. 100mm
Online radio frequency	868 MHz
RF range to Access Point	Ca. 25 m
Power supply	12–24 V AC/DC, 200mA
Dimensions WT-A-I and WT-A-II (WxHxD)	Reader/control unit: 84 mm x 84 mm x 19 mm Fitting frame: 84 mm x 84 mm x 20 mm
Connections	1 x input (zero-potential control) 2 x separate zero-potential switching outputs, change-over contact 1 x RS 232 interface
Relay contacts (per relay)	1 x NC contact, 1 x NO contact, 5 A 250 V ~, resistive load; 5 A 250 V ~, cosφ 0.4; 5 A 24 V =, resistive load
Cable length antenna/control unit	Max. 3 m
Number of locking media	Max. 2,048
Number of Master media	Max. 1 SYSTEM-MASTER, max. 10 PROGRAM-MASTERS
Number of events	Max. 500 with date and time
Temperature range	-25 °C to +70 °C
Enclosure	WT-A-I: IP 40, optionally completely potted (extra charge), IP 65 except terminal WT-A-II: Antenna, completely potted, IP 65 except terminal Control unit: IP 40, optionally completely potted (extra charge), IP 65 except terminal
Prohibited atmospheres	Not suitable for use in corrosive atmosphere (chlorine, ammonia, lime water)
Service life of the wall terminal	About 10 years
Programming	Master media or handheld programmer and/or RF network
Special designs	Upon request

Ordering information

Quantity	Part number	Description	Colour	Relay switching time (offline only)